

**COMPACT
PNEUMATIC CYLINDERS
PKE-A SERIES Ø32- Ø100**





PKE-A SERIES

COMPACT - Ø32 - Ø100

COMPACT CYLINDER
WITH MAGNET AND REAR SPRING

WITH SINGLE ACTING USAGE
PROVIDES MINIMUM AIR
CONSUMPTION AND EQUIPMENT
COSTS



PKE: COMPACT CYLINDERS WITH
SINGLE ACTING (SPRINGED FROM
BACK)



PKE-A: MAGNETIC COMPACT
CYLINDERS WITH SINGLE ACTING
(SPRINGED FROM BACK)

Example of order:

PKE-A
Product Code

032-025
Cylinder Ø
Stroke

M3
Variants from
Standard System

VARIANTS FROM STANDARD SYSTEM:

- R1: Stainless Steel Piston Rod (SS 304-SS 316)
- R4: Stainless Steel Nut for Piston Rod (SS 304)
- R5: Piston Rod as CK45 (Hard Chrome Plated)
- M1: Extended male Piston Rod Thread
- M3: Special Piston Rod Thread
- M4: Extended Piston Rod
- K1: Seals for Max. 150°C (Viton)
- K4: Piston Rod Seal Viton

Force:

| Cylinder Ø mm | Rod Ø mm | Thrust and traction forces (6 Bar) | |
|------------------|-------------|------------------------------------|--------------------|
| | | Thrust Force (N) | Traction Force (N) |
| 32 | 12 | 16 | 384 |
| 40 | 12 | 23 | 642 |
| 50 | 16 | 30 | 1002 |
| 63 | 16 | 35 | 1682 |
| 80 | 20 | 60 | 2715 |
| 100 | 25 | 100 | 4231 |

Working Fluid:

Filtered and lubricated or filtered and not lubricated air

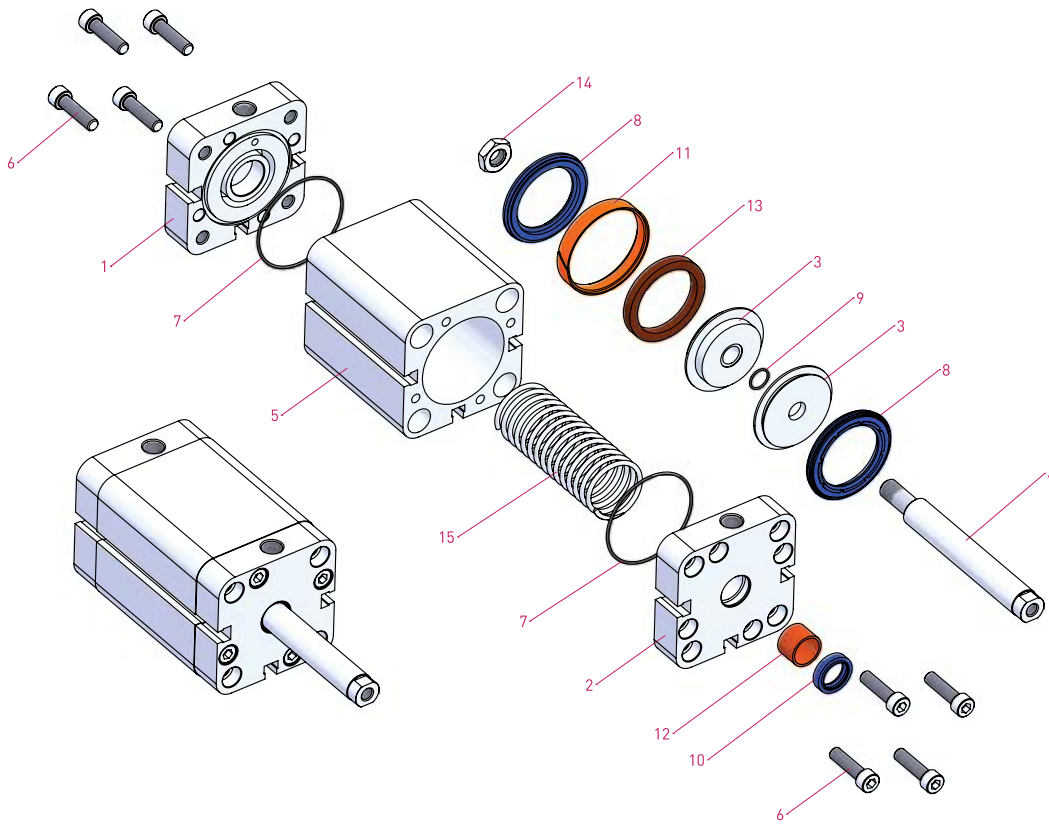
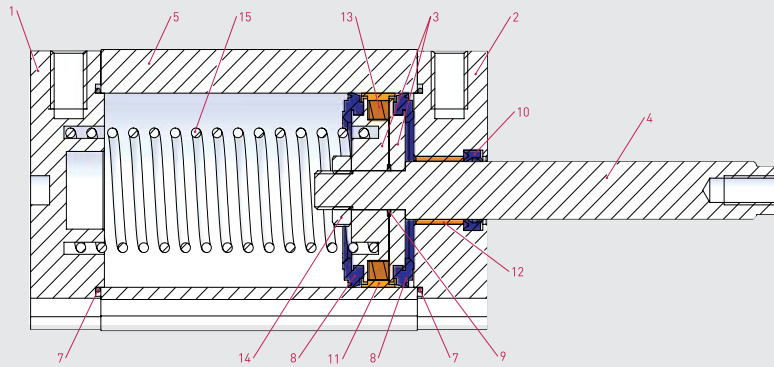
Operating Temperature Range:

Polyurethane (PU) : (-20°C) - (+80°C)

Viton (FKM) : (-30°C) - (+150°C)

Max. Work Pressure:

10 Bar

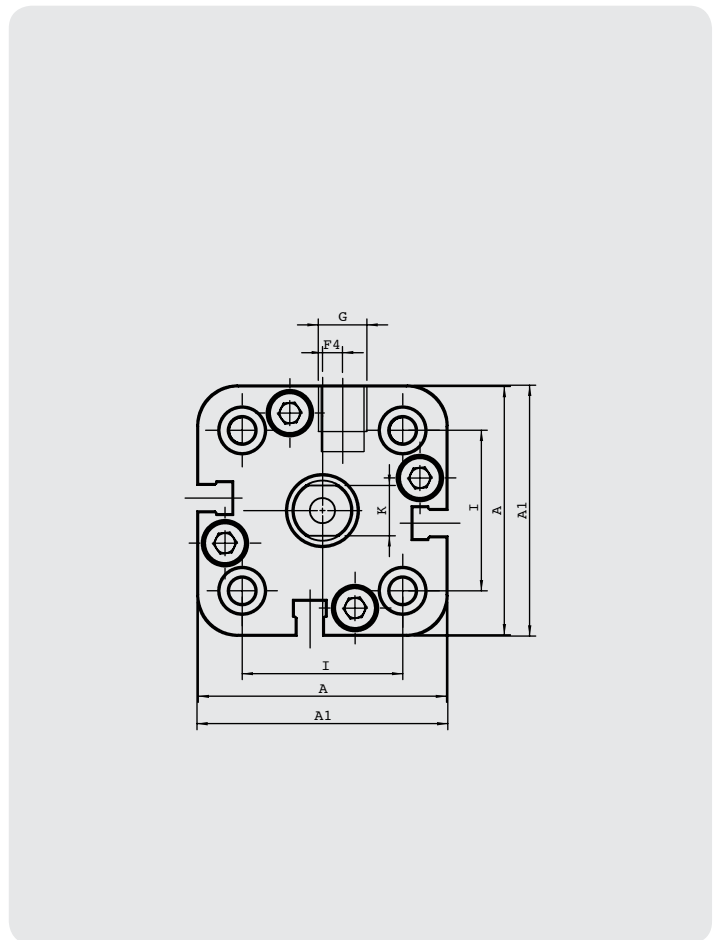
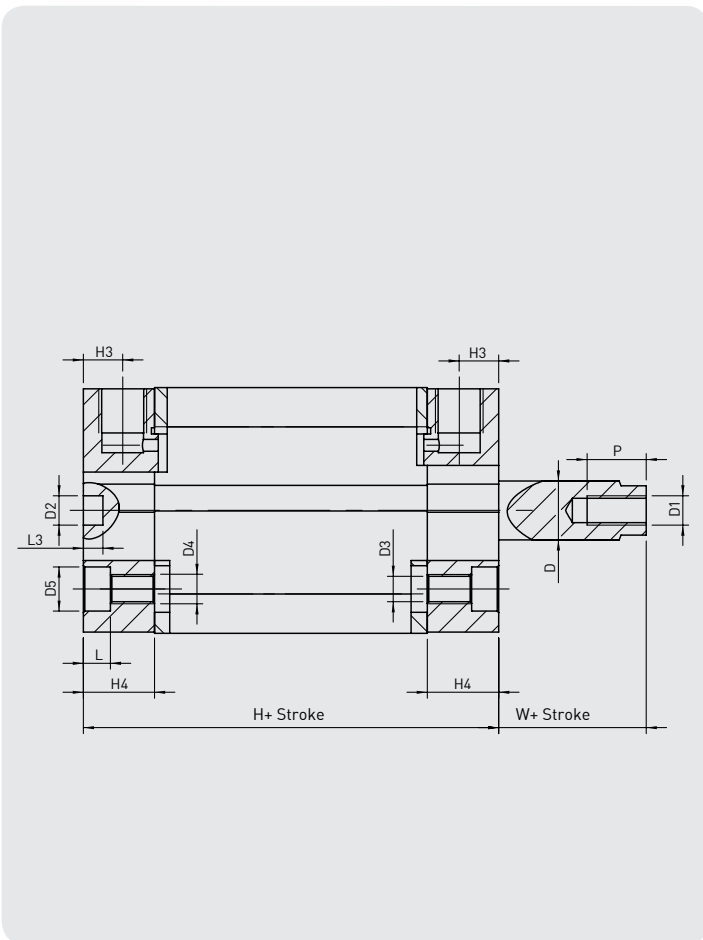


| No | MATERIAL NAME | CHARACTERISTIC | PC. |
|----|---------------|------------------------------|-----|
| 1 | Rear Head | Aluminium | 1 |
| 2 | Front Head | Aluminium | 1 |
| 3 | Middle Piston | Aluminium | 2 |
| 4 | Piston Rod | X20 Cr13 Hard Chrome Plated | 1 |
| 5 | Tube | Al Mg Si 0,5 + Eloxac Plated | 1 |
| 6 | Bolt | Stainless Steel | 8 |
| 7 | Head O-ring | NBR | 2 |
| 8 | Piston Seal | PU | 2 |

| No | MATERIAL NAME | CHARACTERISTIC | PC. |
|----|----------------------|------------------|-----|
| 9 | Middle Piston O-ring | NBR | 1 |
| 10 | Rod Seal | PU | 1 |
| 11 | Guiding Band | Polyacetal | 1 |
| 12 | Guiding Bush | CSB-40 | 1 |
| 13 | Magnet | | 1 |
| 14 | Nut | Galvanized Steel | 1 |
| 15 | Spring | Galvanized Steel | 1 |



PKE-A SERIES
COMPACT - Ø32 - Ø100



| Cylinder Ø mm | A | A1 | D Ø | D1 Ø | D2 Ø | D3 Ø | D4 Ø | D5 Ø | F4 | G | H | H3 | H4 | I | K | L | L3 | P | W |
|------------------|-------|-----|--------|---------|---------|---------|---------|---------|----|------|------|------|-------|-----|----|-----|----|----|-----|
| 32 | 49,5 | 50 | 12 | M6 | 6 | 5,2 | M6 | 9 | 4 | 1/8" | 44,5 | 8 | 14,5 | 32 | 10 | 5,5 | 4 | 12 | 6 |
| 40 | 57,5 | 58 | 12 | M6 | 6 | 5,2 | M6 | 9 | 3 | 1/8" | 45,5 | 8 | 14,75 | 42 | 10 | 5,5 | 4 | 12 | 6,5 |
| 50 | 66,5 | 67 | 16 | M8 | 6 | 6,7 | M8 | 10,5 | 0 | 1/8" | 45,5 | 8 | 14,75 | 50 | 13 | 6,5 | 4 | 12 | 7,5 |
| 63 | 79,5 | 80 | 16 | M8 | 8 | 8,7 | M10 | 13,5 | 0 | 1/8" | 50 | 8 | 14,75 | 62 | 13 | 8,5 | 4 | 14 | 7,5 |
| 80 | 99,5 | 100 | 20 | M10 | 8 | 8,7 | M10 | 13,5 | 0 | 1/8" | 56 | 8,5 | 16,5 | 82 | 17 | 8,5 | 4 | 15 | 8 |
| 100 | 123,5 | 124 | 25 | M12 | 8 | 8,7 | M10 | 13,5 | 0 | 1/4" | 66,5 | 10,5 | 19,75 | 103 | 22 | 8,5 | 4 | 20 | 10 |

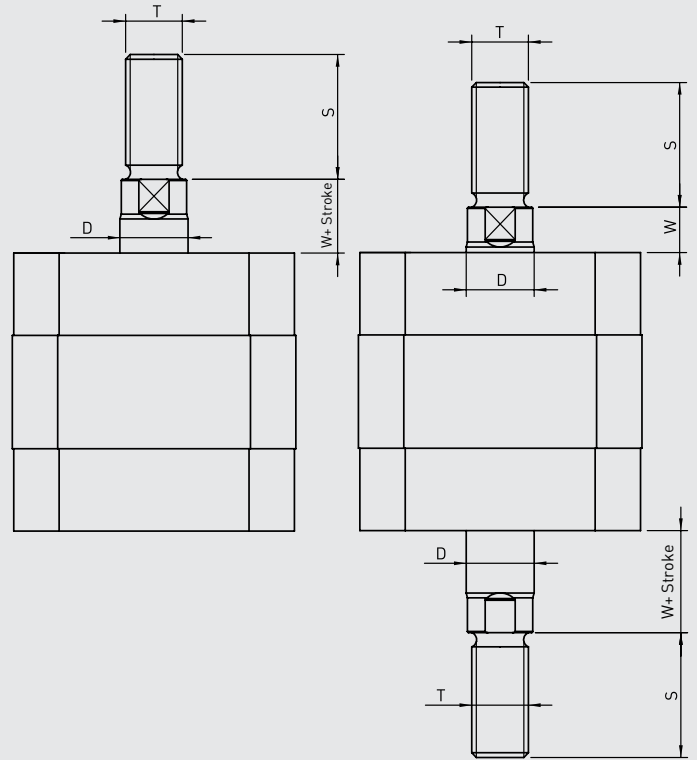
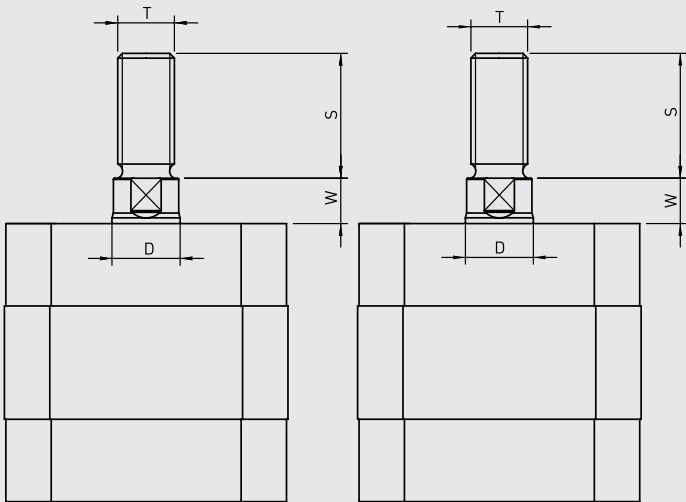


PK-T

PKS-T

PKE-T

PKD-T



| Cylinder type | Cylinder Ø mm | D | S | T | W |
|---------------|---------------|----|----|----------|-----|
| | 32 | 12 | 22 | M10x1.25 | 6 |
| | 40 | 12 | 22 | M10x1.25 | 6.5 |
| PK-PKS | 50 | 16 | 24 | M12x1.25 | 7.5 |
| PKE-PKD | 63 | 16 | 24 | M12x1.25 | 7.5 |
| | 80 | 20 | 32 | M16x1.5 | 8 |
| | 100 | 25 | 40 | M20x1.5 | 10 |